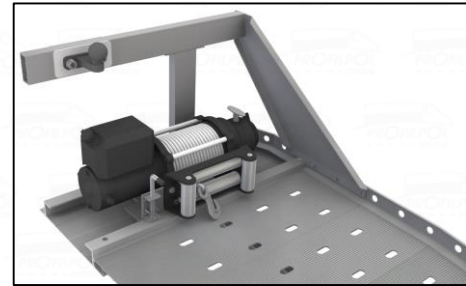
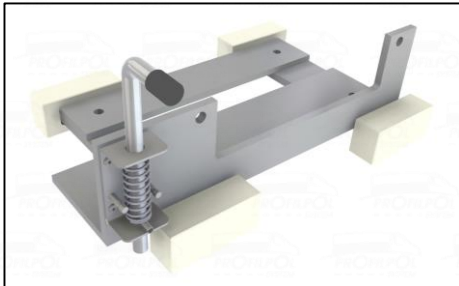
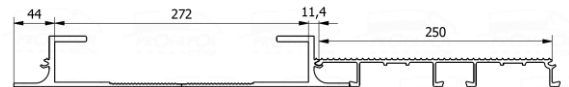
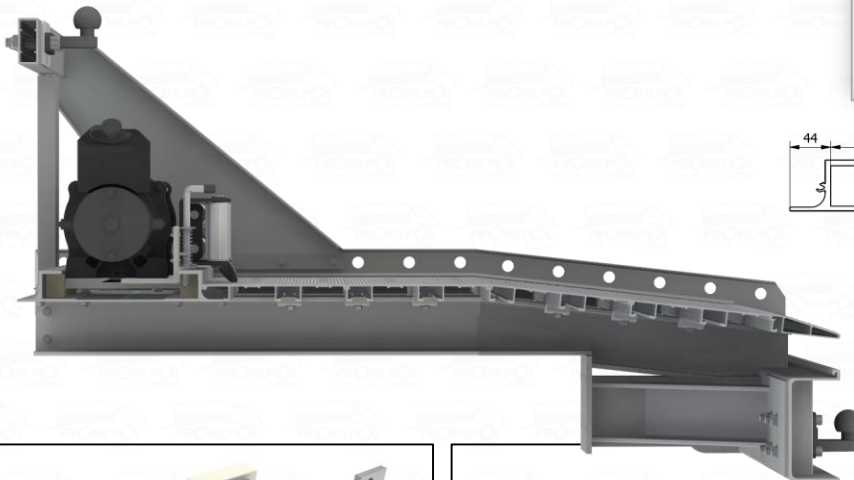
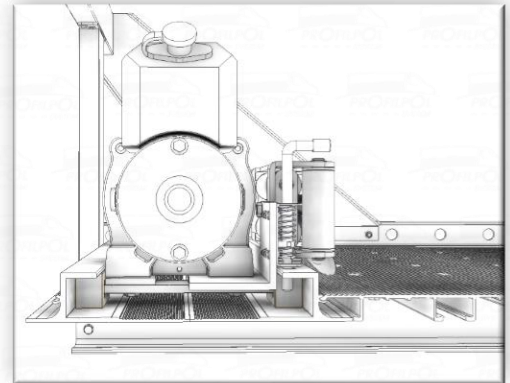


**NEW**

Cat.-no.	Designation	Weight
18365236	Movable winch block	18,17 kg
<b>Material :</b>	Aluminum/Steel/PA	L- 2,1m; 2,2m



Notes



**PROFILPOL**  
--- SYSTEM



[www.profilpolsystem.pl](http://www.profilpolsystem.pl)



[sprzedaz@profilpolsystem.pl](mailto:sprzedaz@profilpolsystem.pl)



OLESNO  
ul. Częstochowska 20  
46-300 Olesno



+48 883 335 994